

SHIMANO

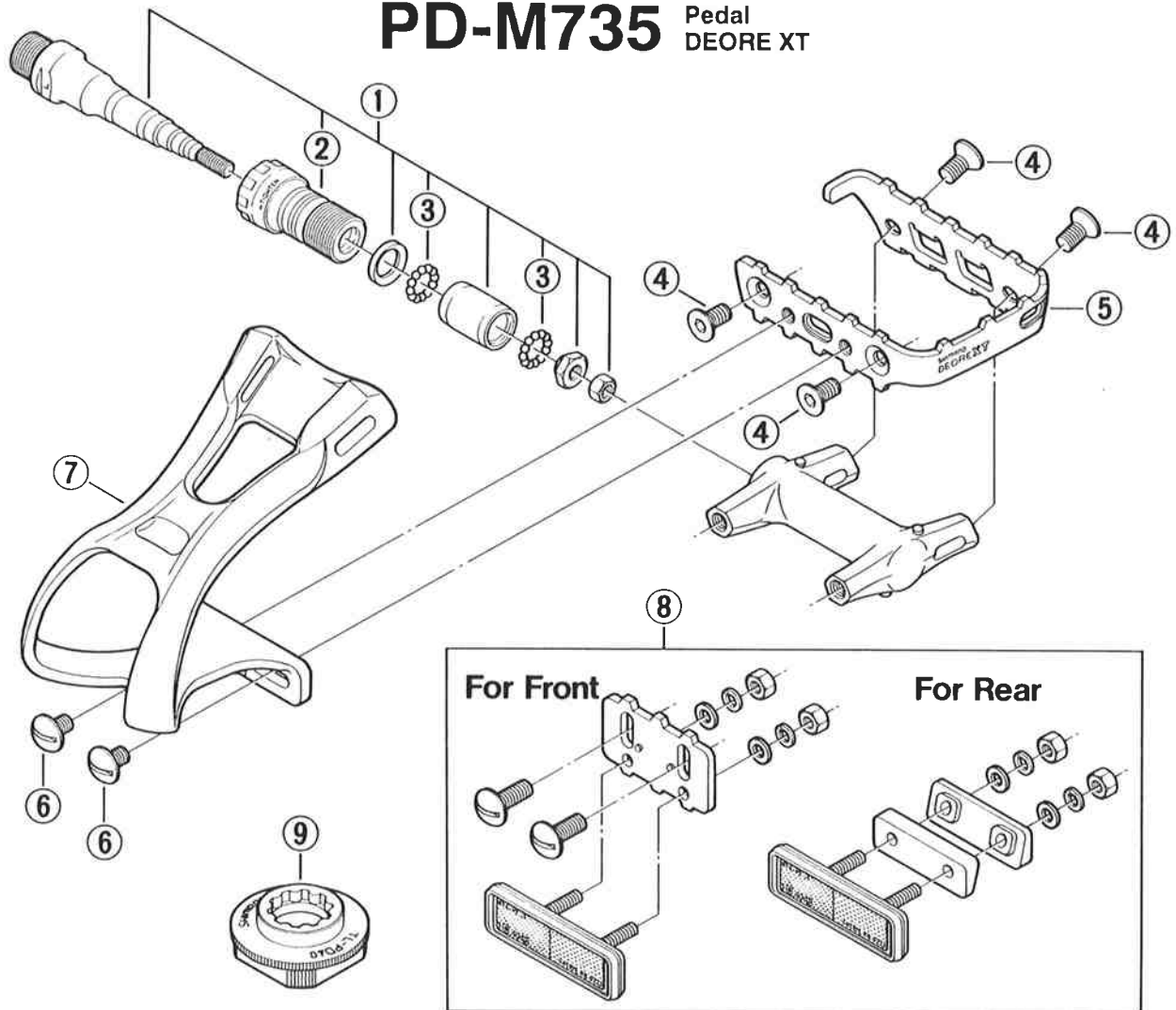
SHIMANO (EUROPA) GmbH.
Kleinhülsen 1-3 4010 Hilden, Germany
Tel. 02103-5005-0

SHIMANO AMERICAN CORPORATION
One Shimano Drive, P.O. Box 19615, Irvine,
California U.S.A. 92718 Tel. (714) 951-5003

Small parts list for after market.

- You may photocopy this sheet and use it as an order form.
- Sie können dieses Blatt kopieren und als Bestellformular verwenden.
- Vous pouvez photocopier cette feuille et l'utiliser comme bon de commande.
- Dit blad kan gecopieerd en als bestelformulier gebruikt worden.
- Potete fotocopiare questo foglio e usarlo come modulo di commissione.

PD-M735 Pedal DEORE XT



	Q'TY	ITEM NO.	PART NO.	DESCRIPTION
		* 1	424 9802	Pedal Axle Assembly (Right / B.C.9/16" x 20T.P.I.)
			424 9803	Pedal Axle Assembly (Left / B.C.9/16" x 20T.P.I.)
		* 2	424 1800	Lock Bolt (Right)
			424 1900	Lock Bolt (Left)
		3	000 9161	Steel Ball (3/32") 60pcs.
		4	417 0400	Plate Fixing Screw
		5	421 0300	Right Side Plate
			421 0400	Left Side Plate
		6	421 1300	Toe-Clip Fixing Screw (M5 x 6)
		7	421 9801	Toe-Clip (M-Size) Pair
			421 9802	Toe-Clip (L-Size) Pair
			421 9803	Toe-Clip (LL-Size) Pair
		8	421 9809	Front & Rear Reflector Unit (Pair)
		* 9	42A 0900	TL-PD40 Special Tool